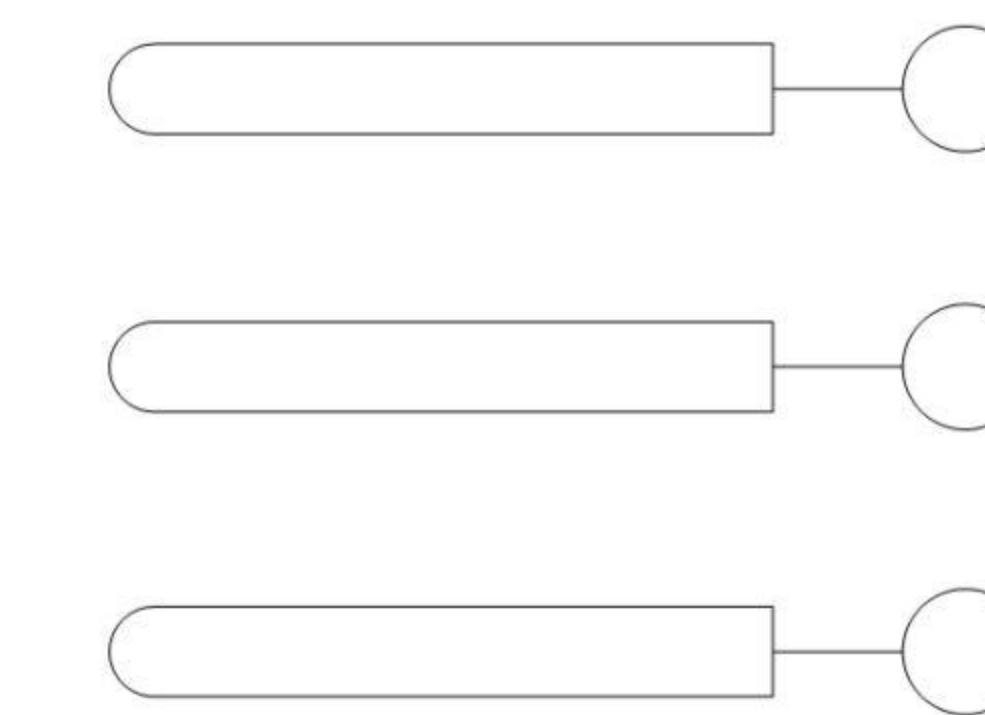
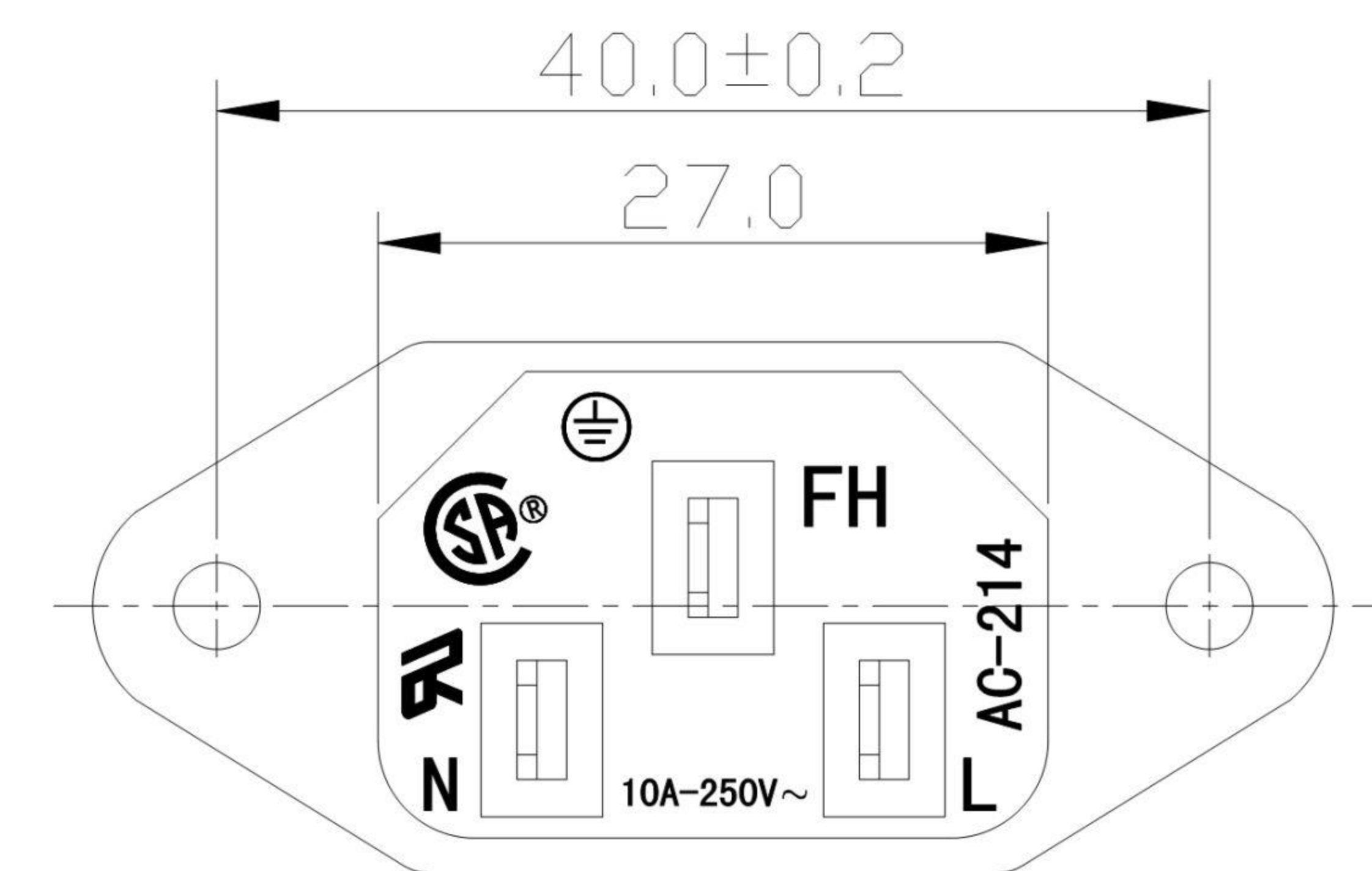
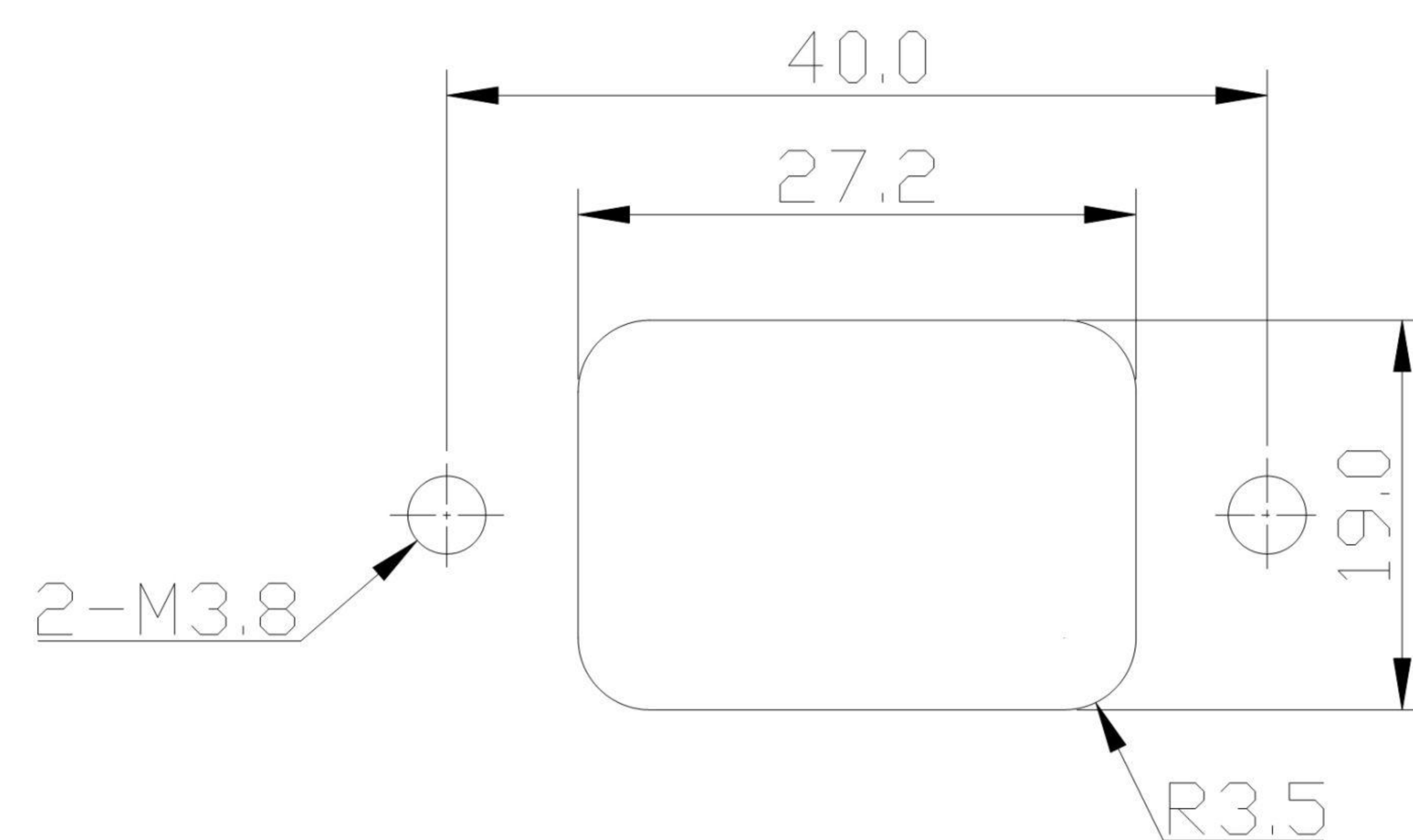
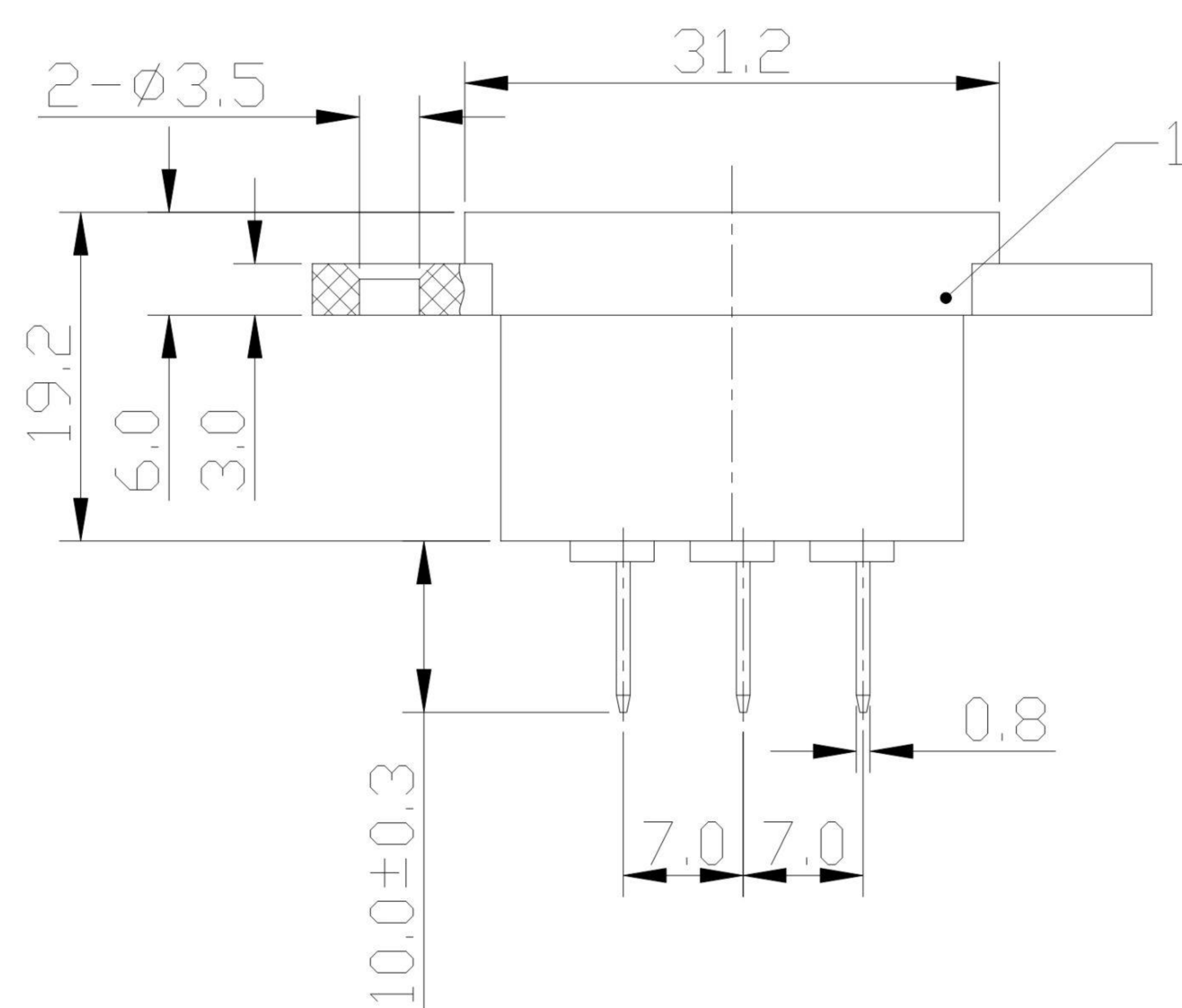


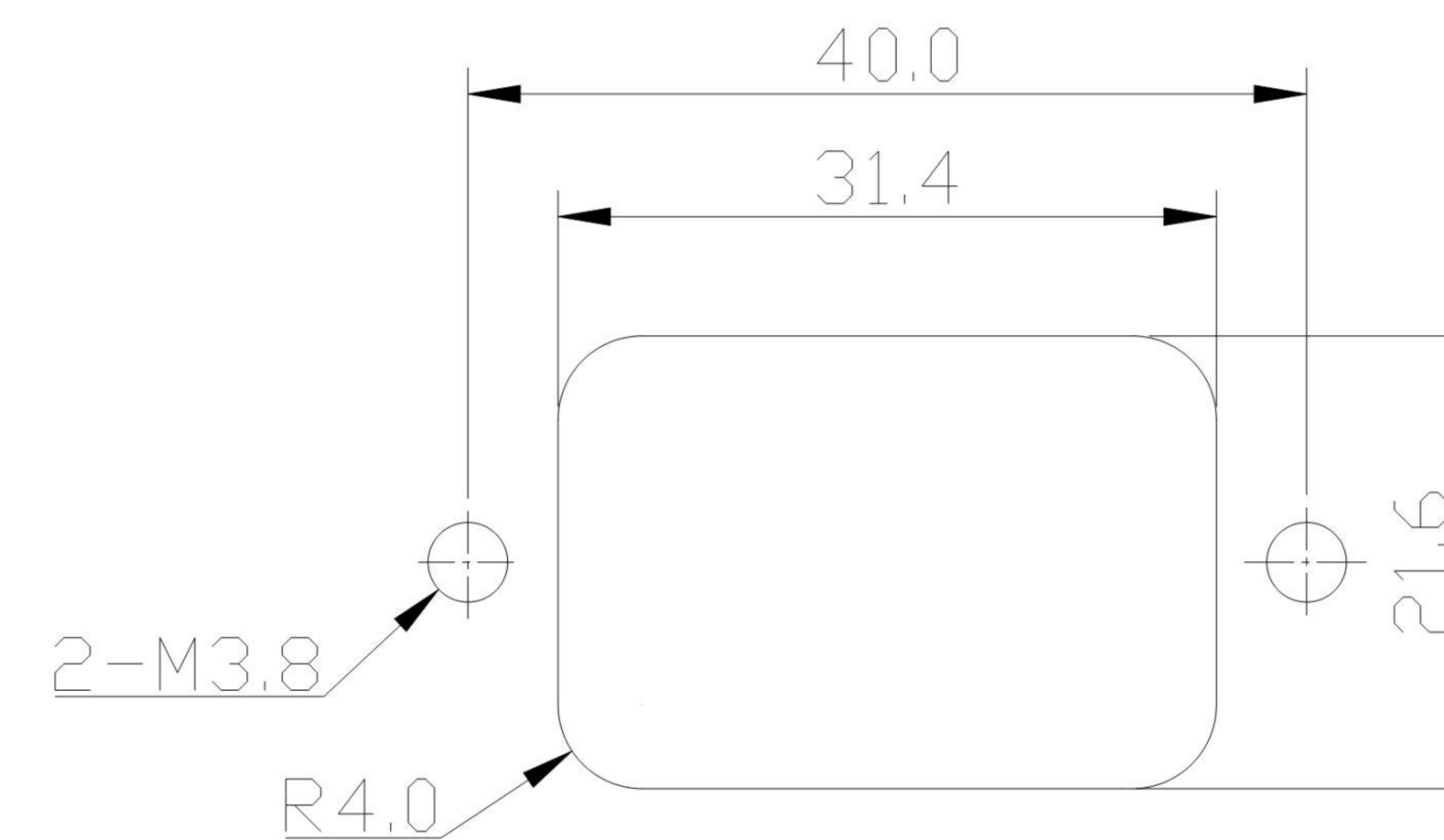
SECTION:A-A



SCHEMATIC



FOR REAR MOUNTING USE



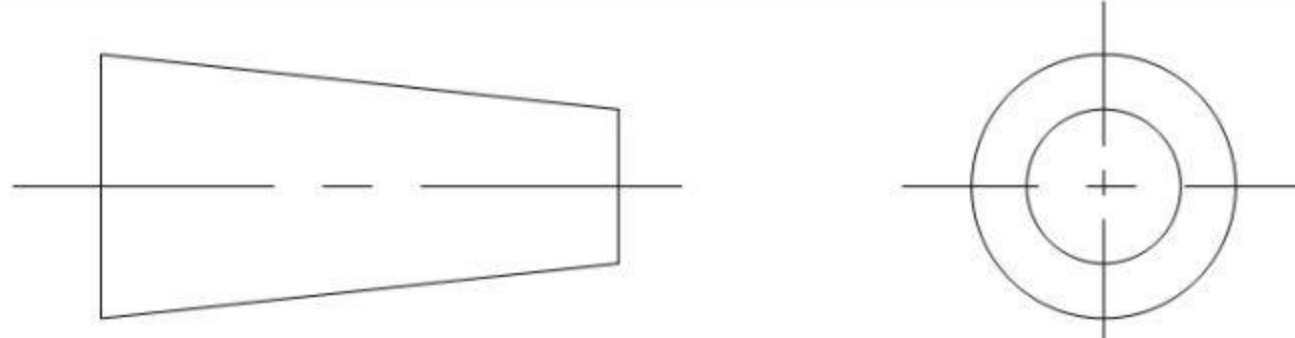
FOR FRONT MOUNTING USE



Dongguan YingXin Electronic Technology Co., Ltd.

TITLE : AC SOCKET

MODEL : AC-211 (W045)



|               |       |      |
|---------------|-------|------|
| UNIT : MM     | DWN.  | DATE |
| SCALE : 1 : 1 | CHK'D | DATE |
| VERSION 01    | APPD. | DATE |

|              |           |
|--------------|-----------|
| TOLERANCE    | ANGLE TOL |
| 0~10mm±0.2   | ±2°       |
| 10~30mm±0.3  |           |
| 30~100mm±0.5 |           |

| NO. | PART NAME | MATERIAL    | QTY | FINISHING |
|-----|-----------|-------------|-----|-----------|
| 2   | TERMINAL  | BRASS STRIP | 3   | Ag PLATED |
| 1   | HOUSING   | PBT         | 1   | BLACK     |